

Multifunction Floodlight Towers

ML440



**WACKER
NEUSON**

Item Number: 0630204

Compact light towers deliver exceptional lighting

These compact and low-weight light towers from Wacker Neuson offer outstanding performance and a high degree of safety, yet at a most competitive price, thus providing you the best return on investment. Using special pulse type metal halide lamps, the ML 440 is an excellent choice for lighting construction sites, municipal road maintenance, commercial landscaping and wherever reliable and safe mobile lighting is needed.



ADDITIONAL ADVANTAGES:

- Wider light coverage due to rectangular shaped lights
- High wind stability with side stabilizers
- High strength fixture frame material
- All lamps can be turned individually
- High quality rubber wheels
- Easy to access lamp breakers
- Heavy duty wheel brake
- Equipped with Wacker Neuson's heavy duty MG5 jobsite generator
- Easy mounting/dismounting of generator



1. Powerful, heavy-duty MG5 generator.
2. Large-diameter wheels for easy manoeuvring around the worksite, and sturdy stabilizers.
3. Lifting eye for safe, easy loading and unloading.



Want to know more about the new ML440? Scan this QR code with your phone to be taken directly to www.wndirect.com.au

Technical Data	Unit	ML 440
Dry weight (without fuel)	kg	208
Shipping weight (including packaging)	kg	227
L x W x H (in transportation position)	mm	1170 x 835 x 1950
L x W x H (packing size)	mm	1210 x 870 x 2435
Max. mast height	m	5
Lamp type		Pulse start metal halide
Number of lamps x each lamp wattage		4 lamps x 400 W
Lamp IP grade		IP65
Initial luminous flux	lm	168000
Coverage area at 54 lux	m ²	403
Generator brand and model		WN MG5
Voltage	V	230
Frequency	Hz	50
Generator type		Brush type synchronous
Displacement	cm ³	389
Max. output power	kW	5.5
Rated output power	kW	5.0
Generator insulation grade		F
Fuel tank capacity	L	25
Max. continuous running time	Hrs	15
AC outlet receptacles		2 x 230V, 30A

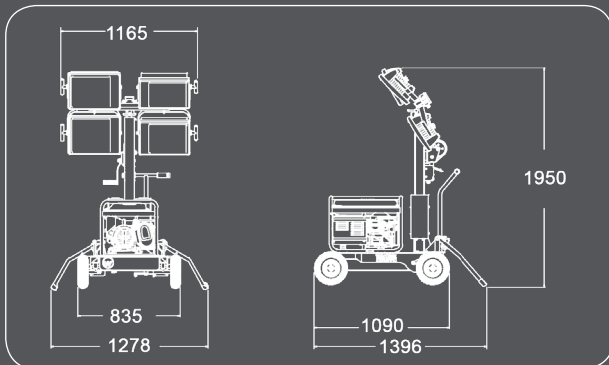
Standard Package

ML 240 Light Tower (fully assembled)
 ML 240 Operator's Manual
 ML 240 Parts book

Model Guide

ML = M series Light Tower
 4 = Number of lamps
 40 = Lamp wattage (x 10)

A range of accessories are available upon request.



Specifications may change due to continuous product development.

